



# PP12FOS & PP22FOS Series Stainless Steel Housing Sediment and Scale Reduction Type

Designed for commercial water heater, boiler, and tankless heating systems

Atlas Filtri® PP12FOS & PP22FOS are stainless steel, high flow filtration systems for the reduction of sediment and scale in commercial water heater and tankless heating system applications. Stainless 316 housings can incorporate Atlas Filtri melt blown 5-micron sediment filters with polypropylene. The polyphosphate is a special grade of media to reduce scale build-up on heater coils and heating tank systems.

The multi-cartridge housing is a complete line of 12 and 22 round models to accommodate a wide range of flow rates. Design pressure of 150psi (10 bar) at 300°F (149°C). Standard inlet and outlet connection are 3" or 4" Flange. Standard finish is poly-coat over stainless steel. Standard gasket is FDA grade Buna-N.

Melt blown CPP smooth cartridges with heights at 20", 30", and 40" are made to comply with the most stringent regulations for applications in drinking water. These five-micron polypropylene cartridges are suitable for many filtration applications, due to their wide chemical-physical compatibility to a variety of water-based solutions.

The polyphosphate incorporated into the center core of the filter is design as a slow release, low acid media specifically for extreme water conditions found in high temperature filtration applications. The media is designed to last six months as it releases slowly into the water supply. When ordering this design, a smaller stem is also required to accommodate the filter with media included. When using polyphosphate with boiler units, the internal temperature of the boiler is not to exceed 212°F.

Atlas Filtri is driven to providing our customer with the best available products to meet specific filtration requirements. This is done by using the most advanced manufacturing and design methods. The international patents received come from a constant commitment to research and develop that result in new and innovative products.



PP12FOS & PP22FOS  
Stainless Steel Housings  
Filters and Stems Ordered Separately



20", 30" and 40"  
Sediment Filter with Scale  
Reduction Media  
Filters Sold Separately

## Features

- Designed for commercial and industrial filtration applications
- Heavy-duty stainless-steel construction
- 316L stainless steel
- Pipe fittings readily and easily accessible
- Knife-edge seal at both cartridge ends for a positive and seal eliminating by-pass
- Band clamp and Swing-bolt closure for quick cartridge change outs
- Standard double open-ended cartridges with scale reduction media included
- Adjustable top plate for more cartridge options
- Flange connections optional

## Specifications

### Materials:

Housing Construction: 316L Stainless  
Seal: FDA Grade Buna-N Rubber  
Filter Construction: Polypropylene  
Filter Media: Glassy Polyphosphate

### Working Conditions:

Working Temperature Range:  
Min 39.2°F (4°C) – Max 177°F (80.6°C)

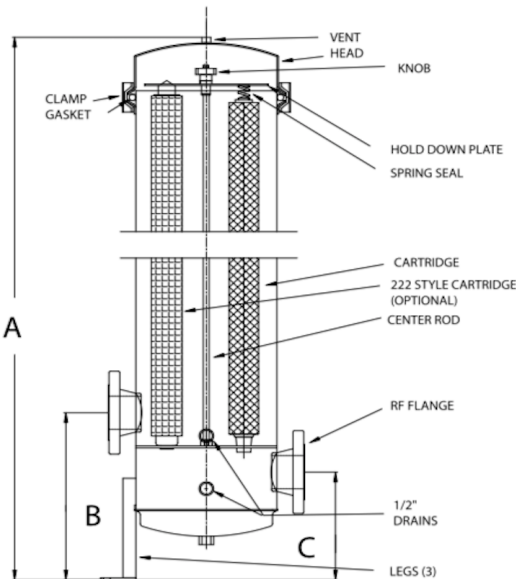
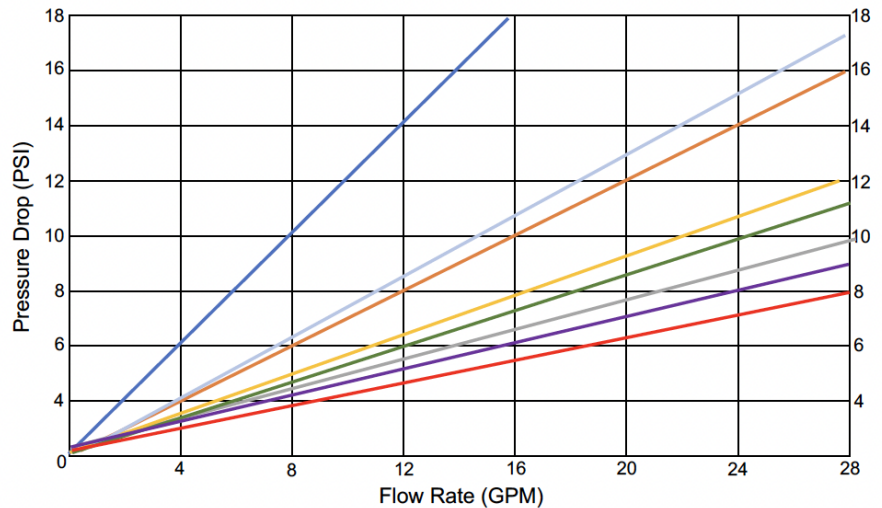
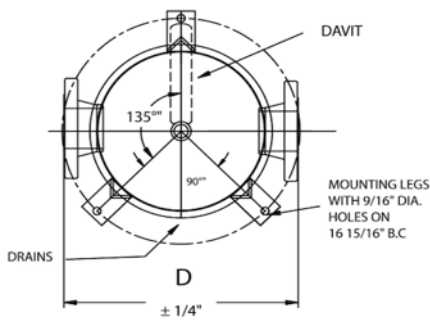
### Media Temperature Range:

Max 220°F (104°C) in heated environment

## PRODUCT SPECIFICATION and PERFORMANCE

Listed PP12FOS & PP22FOS housing models with sediment and scale reduction cartridges

Model	Quantity (Length) of Cartridge (1)	Flow Rate GPM (2)	Pipe Size	Drains	Max Cartridge Diameter	Shipping Weight Clamp	Box Size
PP12FOS2	12 Cart 20"	168	3" Flange	1/4" Drain	2 3/4" DD	86 lb	17x17x47
RA5777526	CPP-SP 20 SX 5 Micron Sediment/Scale Filter (QTY 12 Required)						
PP12FOS3	12 Cart 30"	252	3" Flange	1/4" Drain	2 3/4" DD	92 lb	17x17x57
RA5778508	CPP-SP 30 RT SX 5 Micron Sediment/Scale Filter (QTY 12 Required)						
PP12FOS4	12 Cart 40"	336	3" Flange	1/2" Drain	2 3/4" DD	100 lb	17x17x67
RA5779508	CPP-SP 40 SX 5 Micron Sediment/Scale Filter (QTY 12 Required)						
PP22FOS3	22 Cart 30"	462	4" Flange	1/2" NPT	2 5/8" DD	140 lb	21x21x53
RA5778508	CPP-SP 30 SX 5 Micron Sediment/Scale Filter (QTY 22 Required)						
PP22FOS4	22 Cart 40"	616	4" Flange	1/2" NPT	2 5/8" DD	164 lb	21x21x57
RA5779508	CPP-SP 40 SX 5 Micron Sediment/Scale Filter (QTY 22 Required)						



### Dimensions of Clamp Style Unit

Model Number	Height A	Inlet Center B	Outlet Center C	Flange Distance D
PP12FOS2	39 1/2"	15 3/8"	10"	16 11/16"
PP12FOS3	49 1/2"	15 3/8"	10"	16 11/16"
PP12FOS4	59 1/2"	15 3/8"	10"	16 11/16"
PP22FOS3	50 3/16"	15 1/4"	9 1/2"	21"
PP22FOS4	50 3/16"	15 1/4"	9 1/2"	21"

Atlas Filtri® is a registered trade mark of ATLAS FILTRI srl. Unauthorized use of the registered trade mark is prohibited. Images and context are the property of ATLAS FILTRI srl, which reserves the right to change product design and specification without prior notification.

#### Atlas Filtri North America LLC

1068 North Farms Road, Building 3, Wallingford, CT 06492, USA

Office +1 (203) 284-0080 - Fax +1 (203) 294-9226 - email: [atlasfiltrinorthamerica@atlasfiltri.com](mailto:atlasfiltrinorthamerica@atlasfiltri.com)

A Company of the Atlas Filtri Group. World headquarters and production facilities located in Italy.

