



PP4FOS Series

Stainless Steel Housing, Sediment and Scale Reduction System

Designed for commercial water heater and tankless heating systems

Atlas Filtri® PP4FOS are stainless steel, high flow filtration systems for the reduction of sediment and scale in commercial water heater and tankless heating system applications. Stainless 316 housings can incorporate melt-blown polypropylene 5-micron filters and a special grade of polyphosphate media to reduce scale build-up on heater coils and heating tank systems.

The multi-cartridge housing is a complete line of 4 round models to accommodate a wide range of flow rates. Design pressure 150psi (10bar) @ 300°F (149°C). Standard inlet and outlet connection are 2" MNPT. Standard finish is poly-coat over stainless. Standard gasket is FDA grade Buna-N.

Melt-blown CPP smooth cartridges with heights from 10" to 40" are made to comply with the most stringent regulations for applications in drinking water. These five micron polypropylene cartridges are suitable for many filtration applications due to their wide chemical-physical compatibility to a variety of water-based solutions.

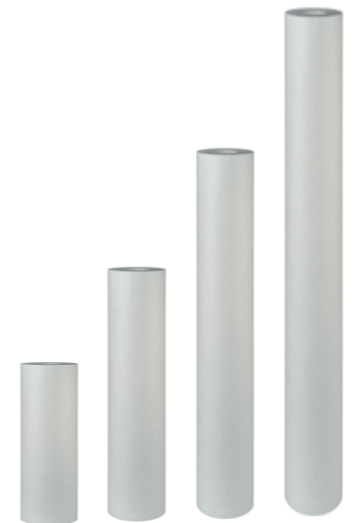
The polyphosphate incorporated into the center core of the filter is designed as a slow release, low-acid media, specifically for extreme water conditions found in high temperature filtration applications. The media is designed to last 1 year on 15 grain hard water as it releases slowly into the water supply. When ordering this design, a smaller stem is also required to accommodate the filter with the media included.

Atlas Filtri is driven to providing our customer with the best available products to meet specific filtration requirements. This is done by using the most advanced manufacturing and design methods. The international patents received come from a constant commitment to research and develop that result in new and innovative products.

Learn more about Atlas Filtri at us.atlasfiltri.com.



PP4FOS
Stainless Steel Housings



10", 20", 30" and 40"
Sediment Filter with Scale
Reduction Media
Filters and Stems Ordered Separately

Features

- Designed for commercial and industrial filtration applications
- Heavy-duty stainless-steel construction
- Pipe fittings readily and easily accessible
- Knife-edge seal at both cartridge ends for a positive and seal eliminating by-pass
- Standard double open-ended cartridges with scale reduction media included
- Flange connections optional
- 5-micron polypropylene melt-blown filters
- Polyphosphate glassy beads for slow, even release of media

Specifications

Materials:

Housing Construction: 316L Stainless
Seal: FDA Grade Buna-N rubber
Filter Construction: Polypropylene
Filter Media: Glassy Polyphosphate

Working Conditions:

Working Temperature Range:
Min 39.2°F (4°C) – Max 177°F
(80.6°C)

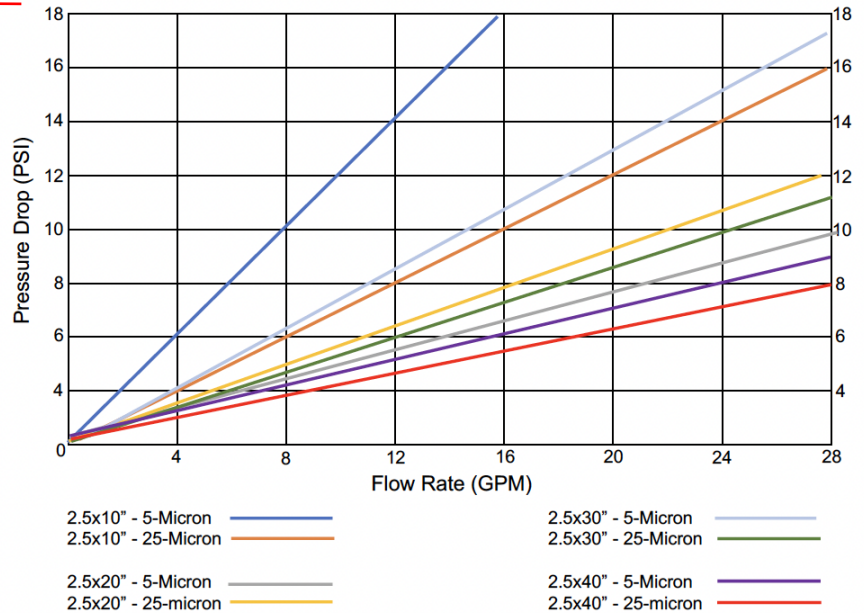
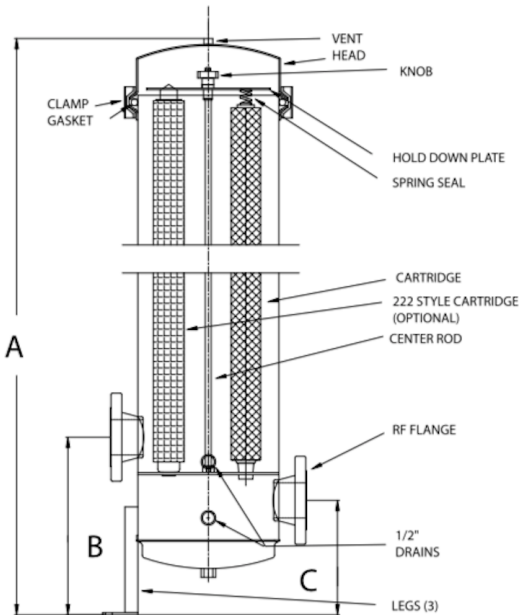
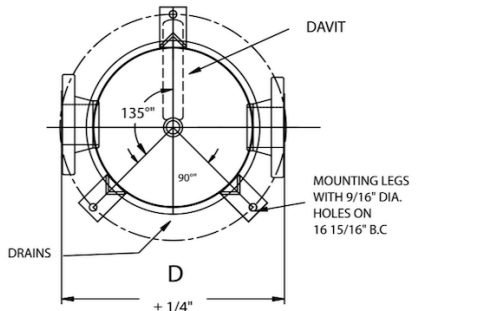
Media Temperature Range:

Max 220°F (104°C) in heated environment

PRODUCT SPECIFICATION and PERFORMANCE

Listed PP4FOS housing with optional sediment and scale reduction cartridges and stems

Model	Quantity (Length) of Cartridge (1)	Flow Rate GPM (2)	Pipe Size	Drains	Max Cartridge Diameter	Shipping Weight Clamp	Box Size Clamp	Clamp Style Dim A
PP4FOS1	4 Cart 10"	28	2" NPT	1/2" NPT	2 3/4" DD	25 lb	12x12x23	20 7/8"
RA5775508	CPP-SP 10 SX 5 Micron Sediment/Scale Filter (QTY 4 Required)							
PP4FOS2	4 Cart 20"	56	2" NPT	1/2" NPT	2 3/4" DD	31 lb	12x12x33	30 7/8"
RA5777526	CPP-SP 20 RT SX 5 Micron Sediment/Scale Filter (QTY 4 Required)							
PP4FOS3	4 Cart 30"	84	2" NPT	1/2" NPT	2 3/4" DD	38 lb	12x12x43	40 7/8"
RA5778508	CPP-SP 30 SX 5 Micron Sediment/Scale Filter (QTY 4 Required)							
PP4FOS4	4 Cart 40"	112	2" NPT	1/2" NPT	2 3/4" DD	45 lb	12x12x53	50 7/8"
RA5779508	CPP-SP 40 SX 5 Micron Sediment/Scale Filter (QTY 4 Required)							



Dimensions of Clamp Style Unit

Model Number	Height A	Inlet Center B	Outlet Center C	Flange Distance D
PP4FOS1	20 7/8"	7"	3"	10 1/4"
PP4FOS2	30 7/8"	7"	3"	10 1/4"
PP4FOS3	40 7/8"	7"	3"	10 1/4"
PP4FOS4	50 7/8"	7"	3"	10 1/4"

Atlas Filtri® is a registered trade mark of ATLAS FILTRI srl. Unauthorized use of the registered trade mark is prohibited. Images and context are the property of ATLAS FILTRI srl, which reserves the right to change product design and specification without prior notification.

Atlas Filtri North America LLC

1068 North Farms Road, Building 3, Wallingford, CT 06492, USA

Office +1 (203) 284-0080 - Fax +1 (203) 294-9226 – email: atlasfiltrinorthamerica@atlasfiltri.com

A Company of the Atlas Filtri Group. World headquarters and production facilities located in Italy.

