



# HYDRA DUO and TRIO

multi-stage self-cleaning filters

Exclusive multi-stage filters with self-cleaning pre-filter,  
for dual and triple stage water filtration and treatment.



# HYDRA DUO and TRIO

## ACCESSORIES ON DEMAND

PART NUMBER	MODEL DESCRIPTION
-------------	-------------------

RE9020650	LUBRIKIT - O-Ring lubricant
-----------	-----------------------------

PART NUMBER	MODEL DESCRIPTION
-------------	-------------------

RB7404021	gauge kit for DP DUO and DP TRIO models with 3/4" and 1" threads
-----------	--

# HYDRA DUO and TRIO CARTRIDGES

## SPARE PARTS

PART NUMBER	MODEL DESCRIPTION
-------------	-------------------

RA5000020	HYDRA RAH 90 mcr stainless steel cartridge
RA5000010	HYDRA RLH 90 mcr plastic cartridge
RA5000040	HYDRA RSH 50 mcr pleated plastic cartridge



-RAH-



-RLH-



-RSH-



PART NUMBER	MODEL DESCRIPTION
-------------	-------------------

RE7120040	stainless steel AISI 316 cartridge spring
-----------	---

## ACCESSORIES INCLUDED



-X- wrench



-DUO- wall bracket



-TRIO- wall bracket



-DRAIN KIT-



Filterfit

# HYDRA DUO and TRIO

HOUSINGS RANGE



DUO



TRIO

HYDRA

FILTER MODEL

DUO

VERSION

3/4"

IN / OUT

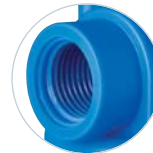
3/4"

1"

NPT IN

THREADS TYPE

NPT IN - PLASTIC NPT \*



RAH

PREFILTER CARTRIDGE

RAH



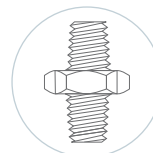
RLH



RSH



www.atlasfiltri.com



\* NPT tapered  
ANSI/ASME B1.20.1



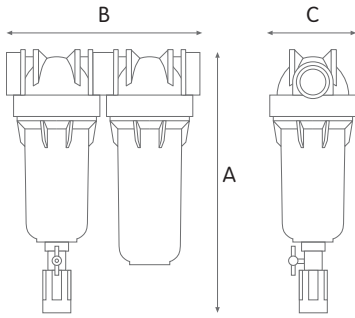
# HYDRA DUO

## WORKING CONDITIONS

Max working pressure \_\_\_\_\_ 125 psi (8,6 bar)  
 Min working pressure \_\_\_\_\_ 26 psi (1,8 bar)  
 Max working temperature \_\_\_\_\_ 113°F (45°C)  
 Min working temperature \_\_\_\_\_ 39.2°F (4°C)

## SPECIFICATIONS

Non-toxic materials, suitable for drinking water.  
 Head: reinforced polypropylene.  
 Sump: PET.  
 O-rings: EPDM.  
 Vent-valve: body stainless steel, o-ring EPDM.  
 Drain ball-valve: CW 617 N brass nickel plated.  
 Drain funnel: reinforced polypropylene.



**DRAIN FUNNEL**  
 Back-flow preventing device  
 UNI EN 1717-11/2002



HYDRA DUO RLH multi-stage self-cleaning filters - polyester cartridge 90 micron  
 HOUSINGS WITH PLASTIC NPT THREADS

PART NUMBER	MODEL DESCRIPTION	SELF-CLEANING NOMINAL FILTRATION MICRON	IN/OUT	DIMENSIONS (inches)		
				A	B	C
RA6096151	HYDRA DUO RLH 3/4 NPT IN	90	3/4"	15.4	9.0	4.2
RA6096161	HYDRA DUO RLH 1 NPT IN	90	1"	15.4	9.0	4.2



HYDRA DUO RAH multi-stage self-cleaning filters - stainless steel cartridge 90 micron  
 HOUSINGS WITH PLASTIC NPT THREADS

PART NUMBER	MODEL DESCRIPTION	SELF-CLEANING NOMINAL FILTRATION MICRON	IN/OUT	DIMENSIONS (inches)		
				A	B	C
RA6096221	HYDRA DUO RAH 3/4 NPT IN	90	3/4"	15.4	9.0	4.2
RA6096231	HYDRA DUO RAH 1 NPT IN	90	1"	15.4	9.0	4.2



HYDRA DUO RSH multi-stage self-cleaning filters - pleated polypropylene cartridge 50 micron  
 HOUSINGS WITH PLASTIC NPT THREADS

PART NUMBER	MODEL DESCRIPTION	SELF-CLEANING NOMINAL FILTRATION MICRON	IN/OUT	DIMENSIONS (inches)		
				A	B	C
RA6096181	HYDRA DUO RSH 3/4 NPT IN	50	3/4"	15.4	9.0	4.2
RA6096191	HYDRA DUO RSH 1 NPT IN	50	1"	15.4	9.0	4.2



# HYDRA TRIO

## WORKING CONDITIONS

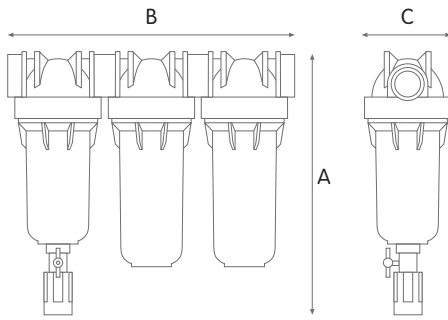
Max working pressure \_\_\_\_\_ 125 psi (8,6 bar)  
 Min working pressure \_\_\_\_\_ 26 psi (1,8 bar)  
 Max working temperature \_\_\_\_\_ 113°F (45°C)  
 Min working temperature \_\_\_\_\_ 39.2°F (4°C)

## SPECIFICATIONS

Non-toxic materials, suitable for drinking water.  
 Head: reinforced polypropylene.  
 Sump: PET.  
 O-rings: EPDM.  
 Vent-valve: body stainless steel, o-ring EPDM.  
 Drain ball-valve: CW 617 N brass nickel plated.  
 Drain funnel: reinforced polypropylene.



**DRAIN FUNNEL**  
 Back-flow  
 preventing device  
 UNI EN 1717-11/2002



HYDRA TRIO RLH multi-stage self-cleaning filters - polyester cartridge 90 micron  
 HOUSINGS WITH PLASTIC NPT THREADS

PART NUMBER	MODEL DESCRIPTION	SELF-CLEANING NOMINAL FILTRATION MICRON	IN/OUT	DIMENSIONS (inches)		
				A	B	C
RA6095141	HYDRA TRIO RLH 3/4 NPT IN	90	3/4"	15.4	13.2	4.2
RA6095151	HYDRA TRIO RLH 1 NPT IN	90	1"	15.4	13.2	4.2



HYDRA TRIO RAH multi-stage self-cleaning filters - stainless steel cartridge 90 micron  
 HOUSINGS WITH PLASTIC NPT THREADS

PART NUMBER	MODEL DESCRIPTION	SELF-CLEANING NOMINAL FILTRATION MICRON	IN/OUT	DIMENSIONS (inches)		
				A	B	C
RA6095221	HYDRA TRIO RAH 3/4 NPT IN	90	3/4"	15.4	13.2	4.2
RA6095231	HYDRA TRIO RAH 1 NPT IN	90	1"	15.4	13.2	4.2



HYDRA TRIO RSH multi-stage self-cleaning filters - pleated polypropylene cartridge 50 micron  
 HOUSINGS WITH PLASTIC NPT THREADS

PART NUMBER	MODEL DESCRIPTION	SELF-CLEANING NOMINAL FILTRATION MICRON	IN/OUT	DIMENSIONS (inches)		
				A	B	C
RA6095181	HYDRA TRIO RSH 3/4 NPT IN	50	3/4"	15.4	13.2	4.2
RA6095191	HYDRA TRIO RSH 1 NPT IN	50	1"	15.4	13.2	4.2



www.atlasfiltri.com

