



# RL polyester washable net

**Sediment filtration.**  
**Average life-span:** up to 24 months.  
**Maintenance:** wash every month at least.

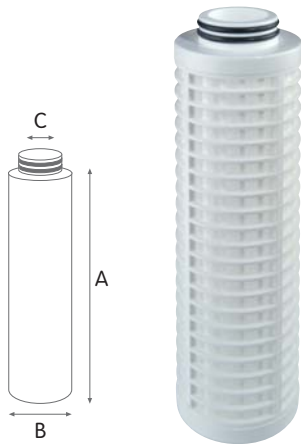
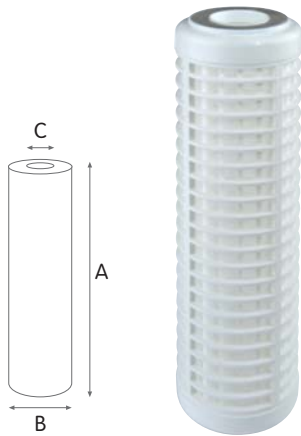
## WORKING CONDITIONS

Max working temperature \_\_\_\_\_ 113°F (45°C)  
 Min working temperature \_\_\_\_\_ 39.2°F (4°C)

## SPECIFICATIONS

Non-toxic materials, suitable for drinking water.  
 Filter media: polyester net.  
 Armouring and end caps: polypropylene.  
 Gaskets SX: SEBS with antimicrobial product protection technology.  
 O-rings BX: EPDM.

Washable net cartridges with consistent water flow and very low pressure drop, filtration at 50 micron. The cartridges are manufactured without glue and sealants, nets are included while molding the structural frame (armouring). Cartridges with structural frame designed for high resistance and duration, with height from 10" and 20".



## RL SX

POLYESTER WASHABLE NET WITH DOUBLE OPEN END (DOE)

| PART NUMBER                | MODEL DESCRIPTION  | NOMINAL HEIGHT | NOMINAL FILTRATION MICRON | RECOMMENDED FLOW RATE (gpm) | DIMENSIONS (inches) |      |      |
|----------------------------|--------------------|----------------|---------------------------|-----------------------------|---------------------|------|------|
|                            |                    |                |                           |                             | A                   | B    | C    |
| <b>OD 2.40" x ID 1.10"</b> |                    |                |                           |                             |                     |      |      |
| RA5015114                  | RL 10 SX 50 mcr    | 10"            | 50                        | 11.0                        | 9.84                | 2.76 | 1.18 |
| RA5017113                  | RL 20 RT SX 50 mcr | 20"            | 50                        | 17.6                        | 20.08               | 2.76 | 1.18 |

## RL BX

POLYESTER WASHABLE NET WITH DOUBLE O-RING COLLAR 45 MM

| PART NUMBER                | MODEL DESCRIPTION | NOMINAL HEIGHT | NOMINAL FILTRATION MICRON | RECOMMENDED FLOW RATE (gpm) | DIMENSIONS (inches) |      |      |
|----------------------------|-------------------|----------------|---------------------------|-----------------------------|---------------------|------|------|
|                            |                   |                |                           |                             | A                   | B    | C    |
| <b>OD 2.40" x ID 1.10"</b> |                   |                |                           |                             |                     |      |      |
| RA5015214                  | RL 10 BX 50 mcr   | 10"            | 50                        | 11.0                        | 9.84                | 2.76 | 1.18 |
| RA5017214                  | RL 20 BX 50 mcr   | 20"            | 50                        | 17.6                        | 19.88               | 2.76 | 1.18 |

### PRODUCTS AVAILABLE ON MINIMUM QUANTITY:

- 5" and 7" filter cartridges are available on-demand with minimum order quantity



www.atlasfiltri.com

FLOW RATE vs PRESSURE DROP  $\Delta p$   
 - Tests carried on 10" elements type RL 10 SX.  
 - Testing mode: 68°F - 43.5 psi (20°C - 3 bar)

